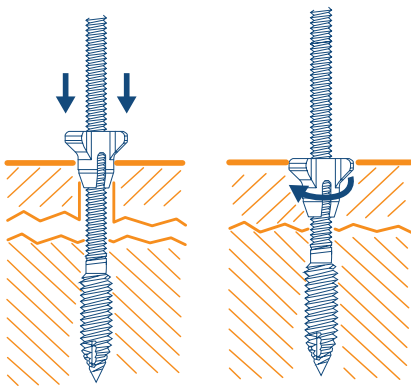




OptOssol™ Compression Device

DESIGN FEATURES

- Inserts under power with a wire driver for ease of use
- Floating head allows for high degree of variable compression
- Head moves independent of shaft reducing the risk of stripping bone threads
- Can be cut to desired length reducing screw inventory
- Bone threads come in 1.7mm, 2.5mm and 3.5mm diameters
- For use in upper and lower extremities*

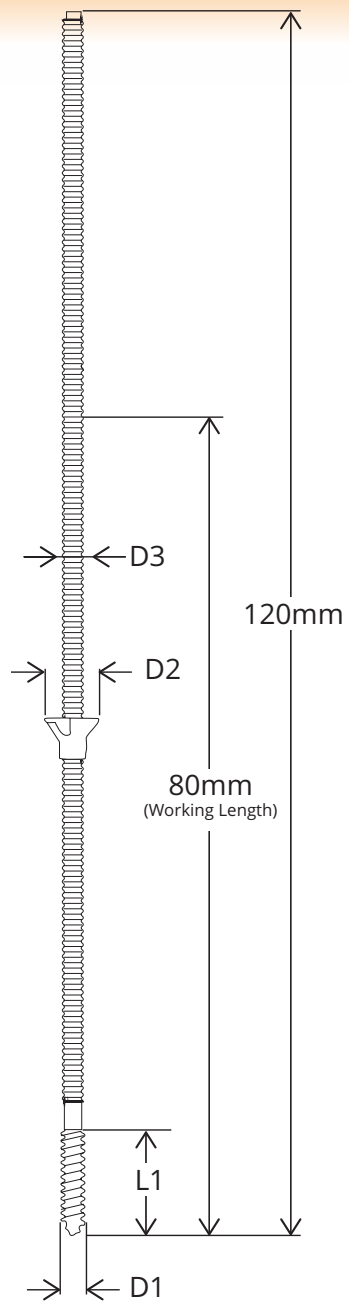
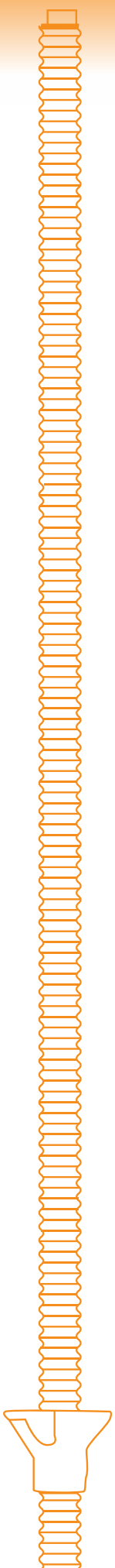


*INDICATIONS

The OptOssol™ Compression Device System is indicated for use in the internal fixation of fractures, fusions and revisions. The system is intended for but not limited to hand surgery, orthopedic surgery and podiatric surgery — but is not intended for Spinal Use.

The OptOssol system is commonly used in the following surgeries: Hammer toe, Bunionectomy, Hand Osteotomies, and Foot Osteotomies.





Compression Wire				
Part Number	Bone Thread Length (L1)	Bone Thread Diameter (D1)	Compression Nut Diameter (D2)	Wire Diameter (D3)
111.1505	5mm	Ø1.7mm	Ø4.0mm	Ø1.4mm
111.1510	10mm			
111.1515	15mm			
111.2505	5mm	Ø2.5mm	Ø5.50mm	Ø2.00mm
111.2510	10mm			
111.2515	15mm			
111.3510	10mm	Ø3.5mm	Ø5.50mm	Ø2.50mm
111.3515	15mm			



maxx
health

Maxx Health Inc
11 Woodside Avenue
Berwyn, PA 19312
484-321-8560
maxxhealthinc.com

Manufactured by Summa Orthopaedics.
Distributed by Maxx Health, Inc.

CONFIDENTIAL INFORMATION
Copyright © 2019. All rights reserved.

CONTRAINDICATIONS

Contraindications include bone fragment too small for adequate fixation, significant osteoporosis and advanced osteoarthritis.